

SATCOM RECEIVER

LNB

Ka-band EXT LNB

R9000X



TYPICAL SPECIFICATIONS

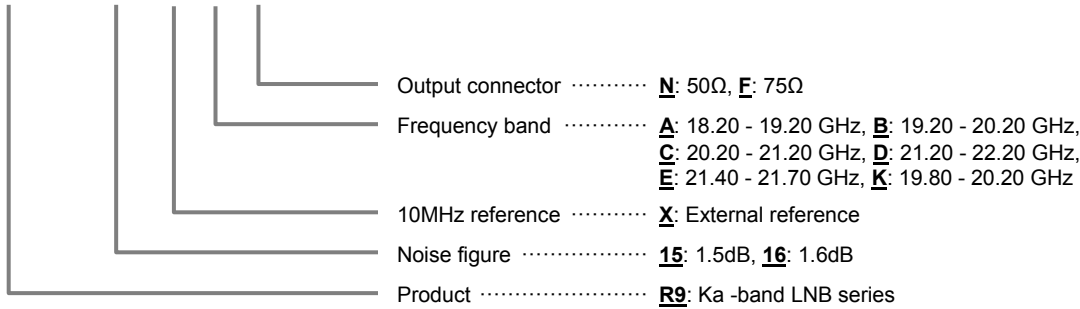
Noise figure	A, B, K-band C, D, E-band	1.5dB max @+23°C 1.6dB max @+23°C	Spurious	Signal related Power supply related Harmonics	-60dBc max @-10dBm -50dBc max @-10dBm -50dBc max @-10dBm
LO stability		phase locked to external reference	LO leakage (Input)		-50dBm max
Phase noise		-60dBc/Hz @100Hz -70dBc/Hz @1KHz -80dBc/Hz @10KHz	Image rejection		40dBc min
Input VSWR		2.2 : 1	DC voltage / current		+12 to +24 V / 300mA
Output VSWR		2.0 : 1	Input waveguide		WR-42
Conversion gain		58dB typ	Output connector		N-female, F-female
Gain flatness		±2dB max	Dimension		104(L) x 60(W) x 39(H) mm
Output P1dB		+5dBm min	Weight		400g
IP3		+15dBm min	Operating temperature		-40 to 60°C
External reference		10MHz, -5 to +5 dBm			
RF input level		-30dBm max			

FREQUENCY BANDS AVAILABLE

	A band	B band	C band	D band	E band	K band
RF freq. (GHz)	18.20 - 19.20	19.20 - 20.20	20.20 - 21.20	21.20 - 22.20	21.40 - 21.70	19.80 - 20.20
LO freq. (GHz)	17.25	18.25	19.25	20.25	20.45	18.85
IF freq. (MHz)	950 - 1950	950 - 1950	950 - 1950	950 - 1950	950 - 1250	950 ~ 1350

HOW TO ORDER Ka-BAND EXT LNB

R9015XAF



SATCOM RECEIVER

OUTLINE DRAWING

